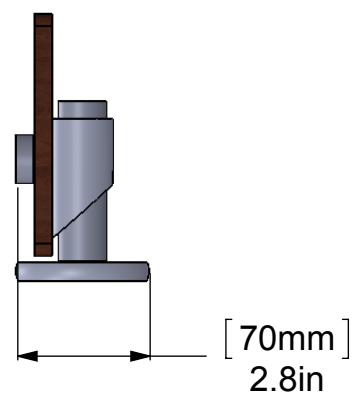
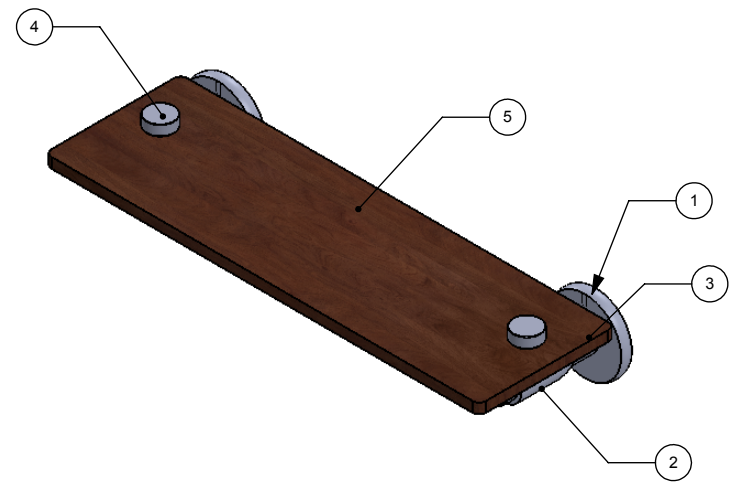


| ITEM NO. | P/N | Description | QTY. |
|----------|----------|--------------|------|
| 1 | BPRD | BACKPLATE | 2 |
| 2 | BKSVT | SUPPORT POST | 2 |
| 3 | TU12-2 | TUBE | 2 |
| 4 | CARD-1 | END CAP | 4 |
| 5 | IRWRT-16 | WOOD SHELF | 1 |



UNLESS OTHERWISE STATED

| | |
|------|---------|
| .X | ±.3mm |
| .XX | ±.15mm |
| .XXX | ±.008mm |

COPYRIGHT © Allied Brass 2016



| | | |
|----------|-----------|-----|
| DRAWN | 1/29/2017 | I.M |
| CHECKED | 1/29/2017 | P.D |
| APPROVED | 1/29/2017 | R.A |

| | |
|--------------|---|
| MATERIAL: | BRASS |
| DESCRIPTION: | Tribeca Collection Solid IPE Ironwood Shelf |



| | |
|-------------|-----|
| FINISH | TBD |
| QUANTITY | TBD |
| DRAWING No. | REV |
| TR-1-16-IRW | 0 |
| SCALE | 1:4 |
| SHEET: 01 | A4 |